

## Sink Elettra

Bowl on the left

Kitchen Sinks

Code: 5186 062



### DETAILS

Edge/Installation Type      Standard (8 mm Edge)

---

Finish      Foster brushed

---

Material      AISI 304 stainless steel

---

Texture      Foster brushed

---

Base      45 cm

---

Dimensions      860x500 mm

---

Standard fittings      Fixing hooks, gasket, drain, overflow and siphon, boxed packing

---

Mixer holes      1 standard hole - 2nd hole on request

---

Built-in hole      840 x 480 mm

---

Drainer Yes

---

Width 86 cm

---

Bowl dimension 341x400mm

---

Number of bowls 1 bowl

---

Waste fitting 3,5" drain

---

## FEATURES

**2nd / 3rd hole available** The sink can be customized with the execution on request of additional holes, usable for double-hole mixers, for remote controlled drains or for the installation of soap dispensers. The positions are marked on the drawings with dotted line holes.

---

**Added value** Foster uses steel thicknesses higher than those used on average by other manufacturers. This is how, thanks to our long experience, we know how to make sinks of superior quality and with a better resistance to aging.

---

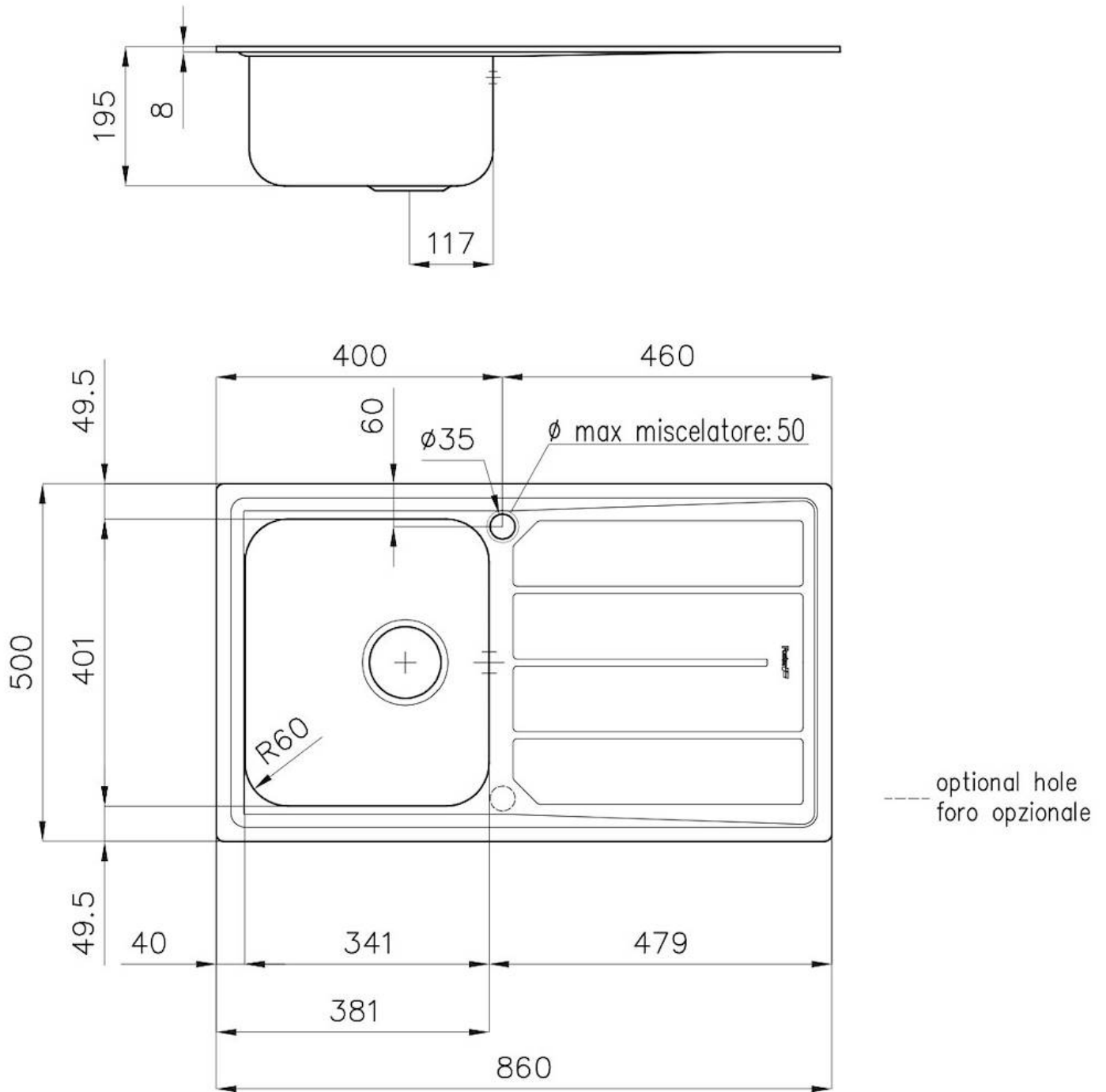
**Basket 3,5" waste fitting** The drain is equipped with a large 3.5" drain, with the practical basket cap that prevents the discharge of solid parts.

---

**Sliding brackets**

---

## TECHNICAL DATA



## OPTIONAL ACCESSORIES



**Glass chopping board**  
8631 300



**HDPE Chopping board**  
8657 001



**Stainless steel basket**  
8611 000



**White bowl**  
8153 100

## OPTIONAL AUTOMATIC WASTE FITTINGS



**Automatic waste fitting**  
8407 100



**Automatic waste fitting**  
8407 000



**LIRA automatic waste fitting**  
8407 103